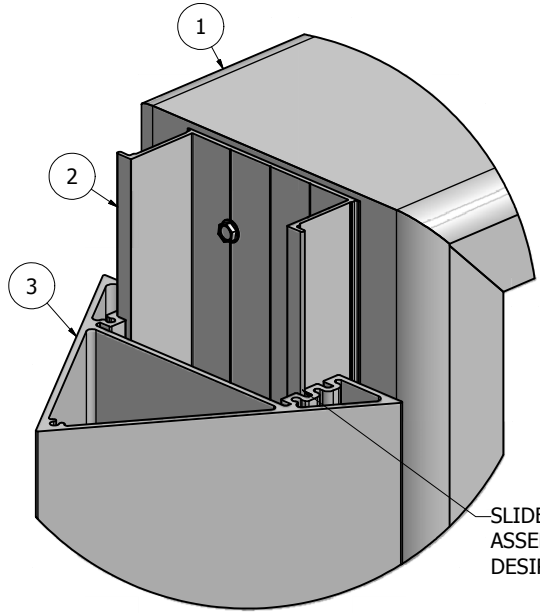
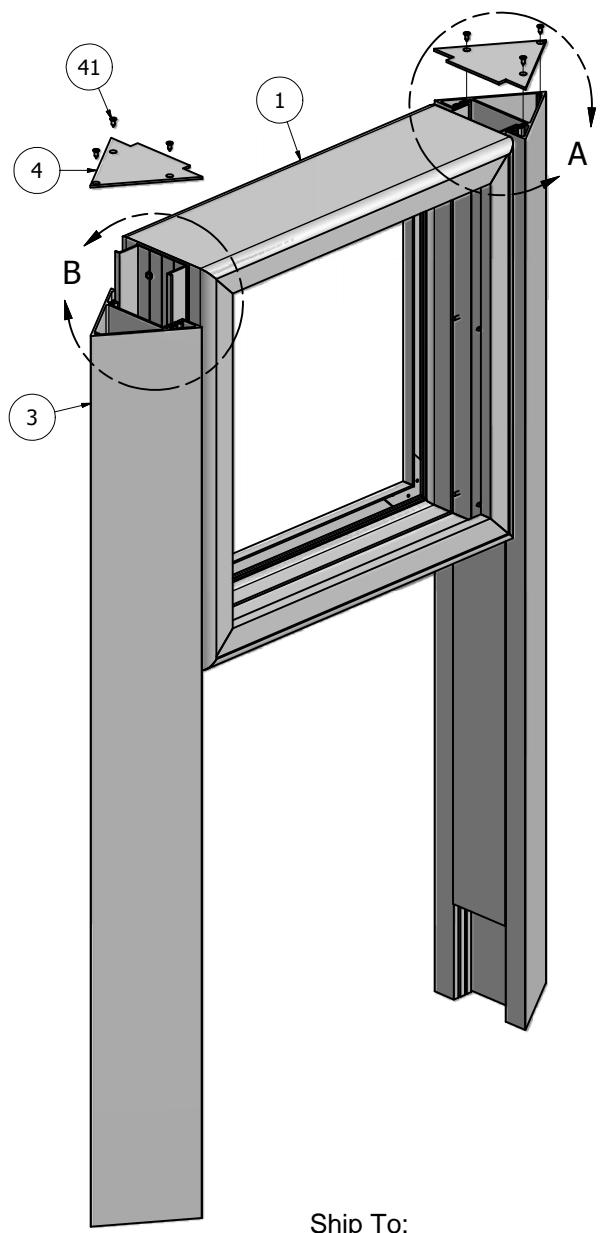
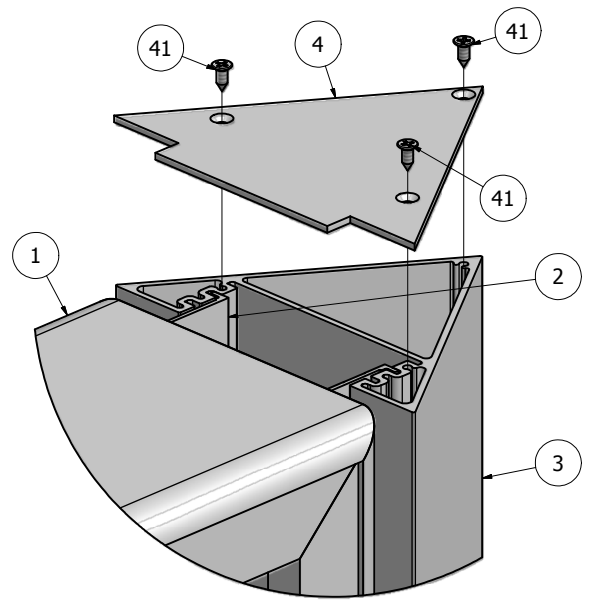


Parts List			
ITEM	PART #	DESCRIPTION	NOTES
1	K1580-50	Series 7 1/4 Round Body Assembly	Slide assembly into post
2	1550	Series 7 Reveal	Attached to Body
3	K1530-50	Series 7 Triangular Post Assembly	
4	Post Cap	Series 7 Triangular Post Cap	Zero Reveal Part #5425, 1/2" Reveal Part #5426, 1" Reveal #5427
41	5040	Cap Screw	#10 x 1/2" counter sunk phillips head screw

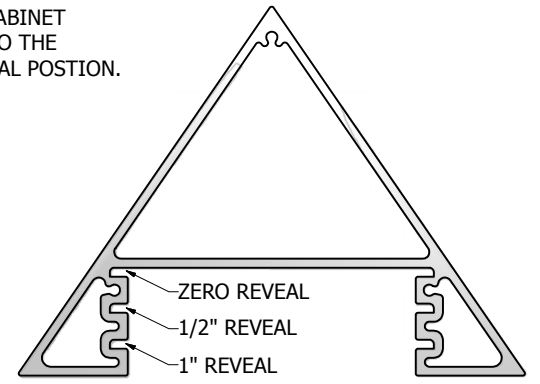
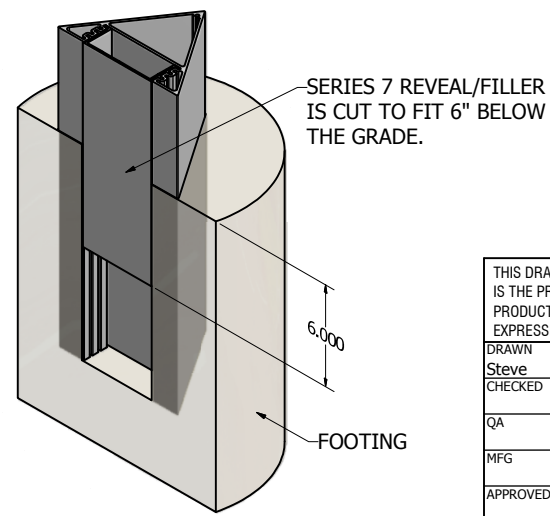


DETAIL B



DETAIL A

SLIDE BODY/CABINET ASSEMBLY INTO THE DESIRED REVEAL POSITION.

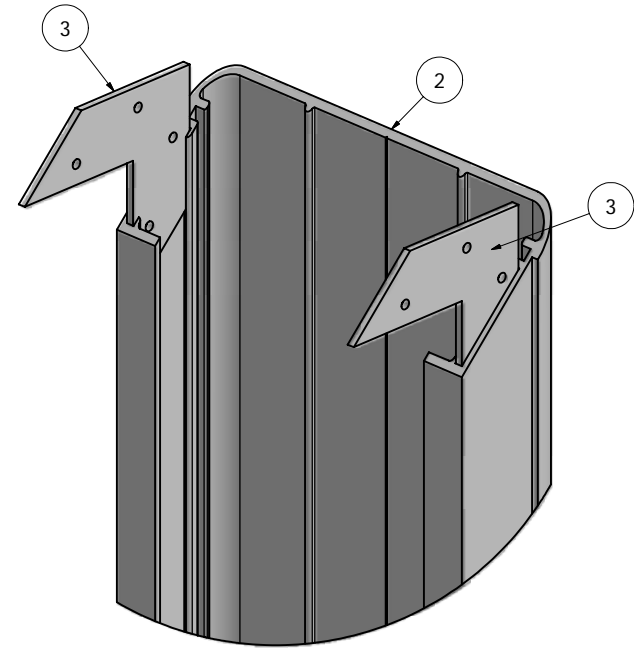
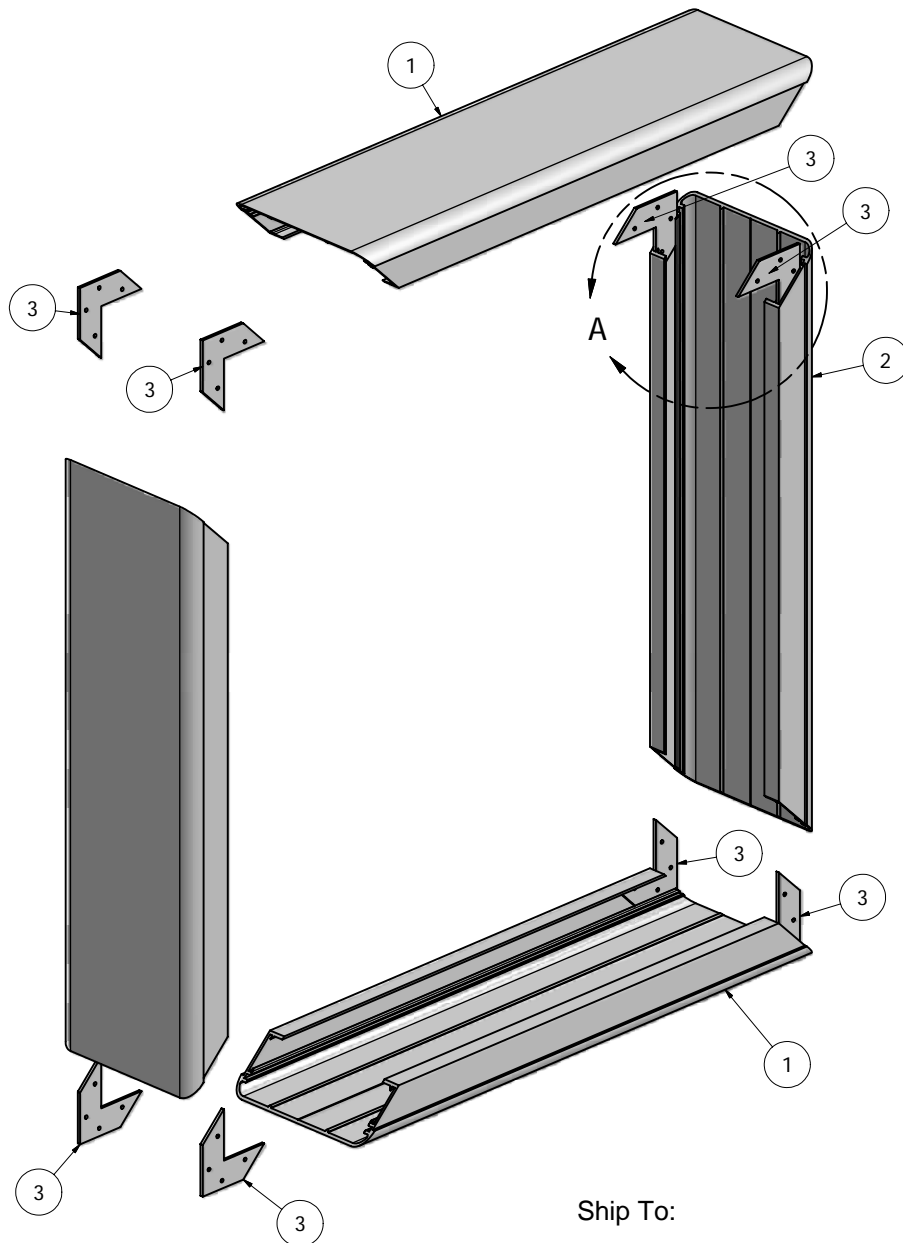


NOTE: PRE-CUT KITS ARE NOT PRE-DRILLED.
 (Holes shown in this drawing are for reference only.
 Drilling of pilot holes are to be done by fabricator.)

Ship To:
 Order #:

THIS DRAWING WAS CREATED AT NO CHARGE TO ASSIST YOU IN VISUALIZING OUR PROPOSAL. THE DRAWING HEREIN IS THE PROPERTY OF SIGNCOMP. PERMISSION TO COPY OR REVISE THIS DRAWING OR TO USE THIS DRAWING FOR PRODUCTION IS STRICTLY PROHIBITED AND CAN ONLY BE COPIED, REVISED OR USED FOR PRODUCTION WITH THE EXPRESSED WRITTEN PERMISSION OF SIGNCOMP.			
DRAWN	12/9/2009	SignComp	
Steve			
CHECKED		TITLE	
QA		Series 7 1/4 Round Body - Series 7 Triangular Post - Assembly	
MFG		SIZE	DWG NO
APPROVED		C	K1580-30-50
		SCALE	REV
			SHEET 1 OF 1

Parts List			
ITEM	PART #	DESCRIPTION	NOTES
1	1580	Series 7, 1/4 Round Body	Top & Bottom
2	1580	Series 7, 1/4 Round Body	Sides
3	5210	Corner Key	



DETAIL A

NOTE: PRE-CUT KITS ARE NOT PRE-DRILLED.

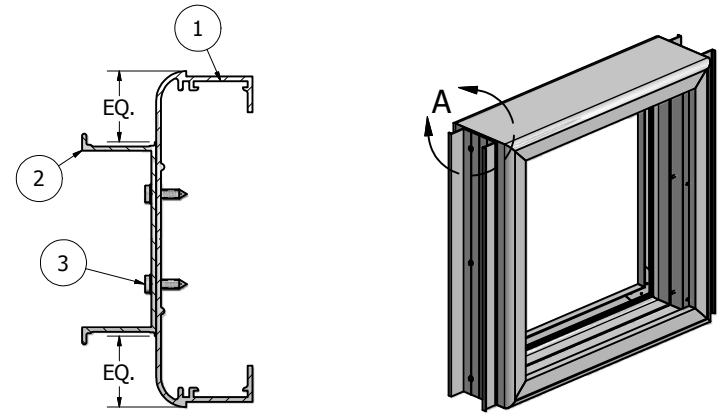
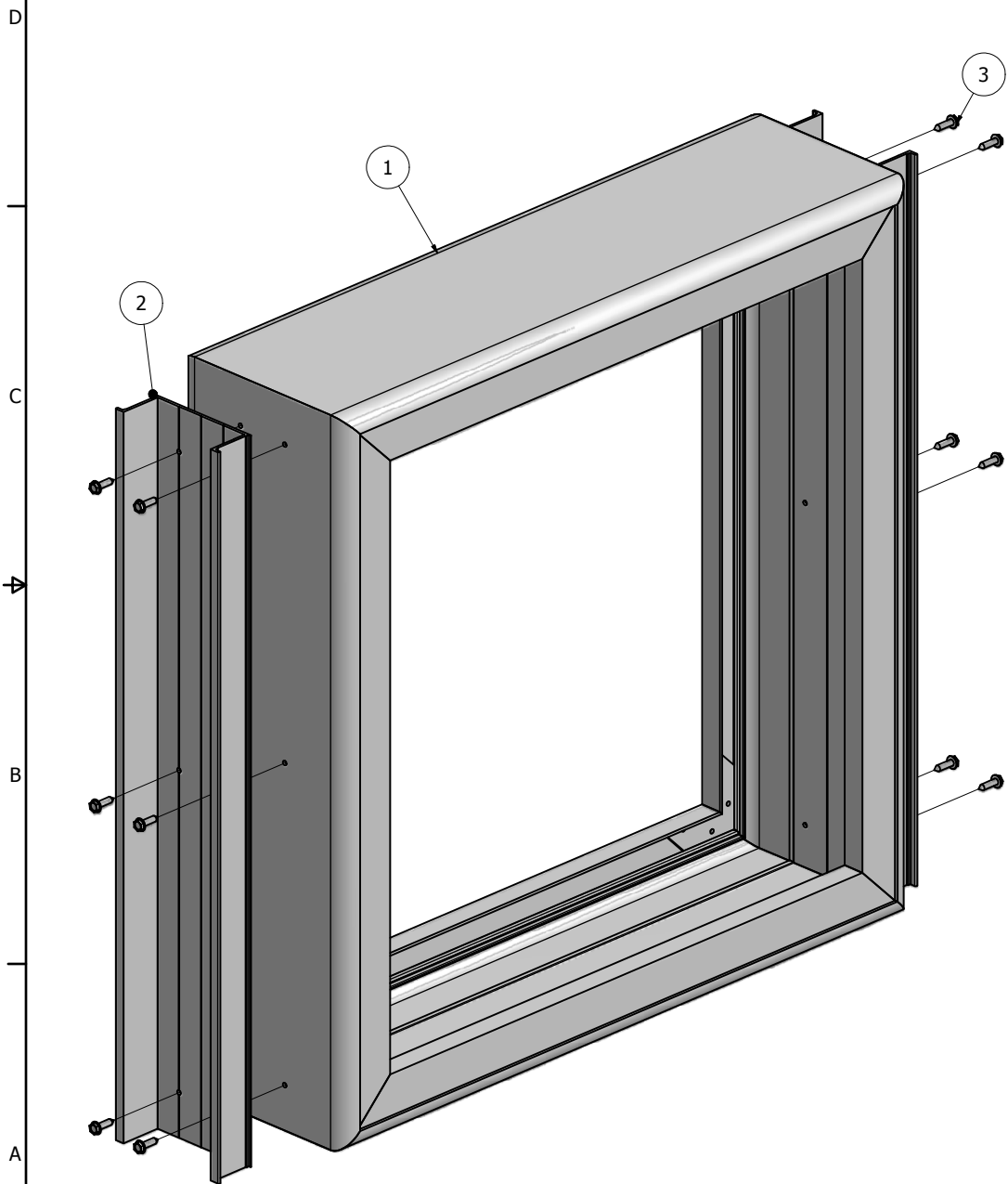
(Holes shown in this drawing are for reference only.
Drilling of pilot holes are to be done by fabricator.)

THIS DRAWING WAS CREATED AT NO CHARGE TO ASSIST YOU IN VISUALIZING OUR PROPOSAL. THE DRAWING HEREIN IS THE PROPERTY OF SIGNCOMP. PERMISSION TO COPY OR REVISE THIS DRAWING OR TO USE THIS DRAWING FOR PRODUCTION IS STRICTLY PROHIBITED AND CAN ONLY BE COPIED, REVISED OR USED FOR PRODUCTION WITH THE EXPRESSED WRITTEN PERMISSION OF SIGNCOMP.

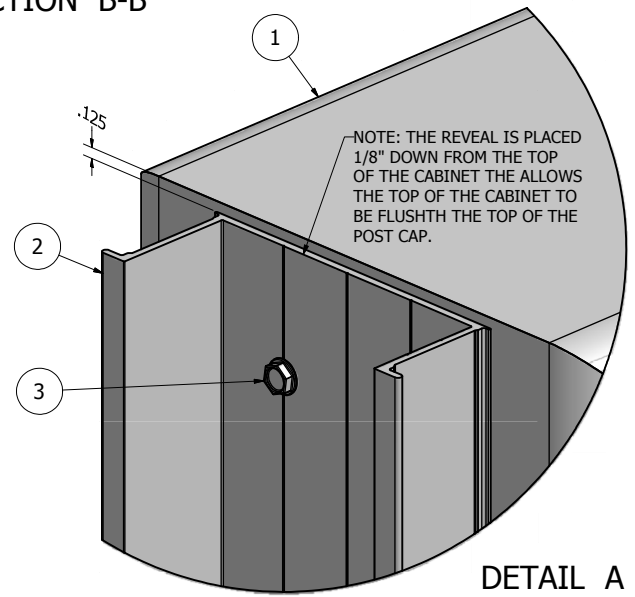
DRAWN Steve	2/6/2009	SignComp		
CHECKED				
QA		TITLE		
MFG		Series 7, 1/4 Round Body - Assembly		
APPROVED		SIZE C	DWG NO K1580	REV
		SCALE	SHEET 1 OF 1	

Ship To:
Order #:

Parts List			
ITEM	PART #	DESCRIPTION	NOTES
1	1580	Series 7, 1/4 Round Body	Assembly
2	1550	Series 7 Reveal	Attach to 1/4 Round Body
3	5220	Reveal to Body Screw	Drill 3/32" Pilot Hole in pairs 12" OC



SECTION B-B



DETAIL A

NOTE: PRE-CUT KITS ARE NOT PRE-DRILLED.
 (Holes shown in this drawing are for reference only.
 Drilling of pilot holes are to be done by fabricator.)

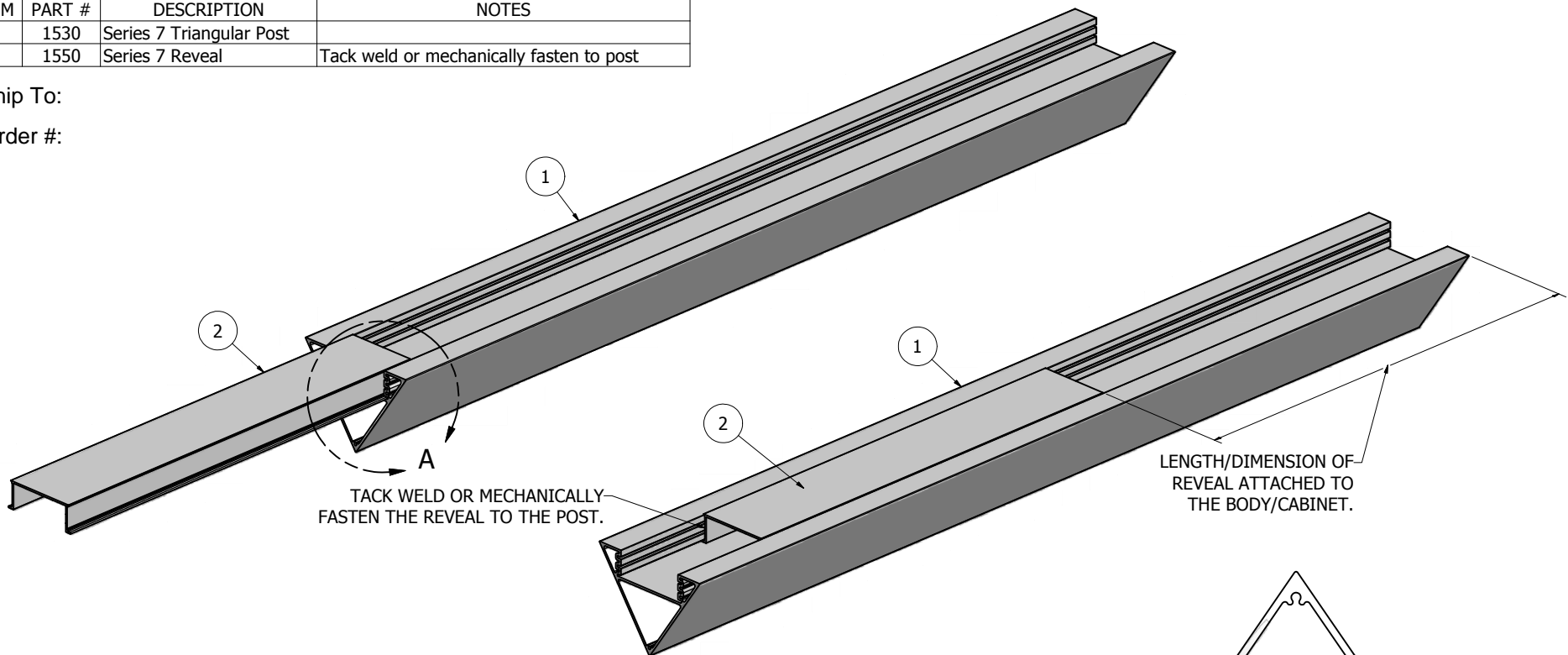
THIS DRAWING WAS CREATED AT NO CHARGE TO ASSIST YOU IN VISUALIZING OUR PROPOSAL. THE DRAWING HEREIN IS THE PROPERTY OF SIGNCOMP. PERMISSION TO COPY OR REVISE THIS DRAWING OR TO USE THIS DRAWING FOR PRODUCTION IS STRICTLY PROHIBITED AND CAN ONLY BE COPIED, REVISED OR USED FOR PRODUCTION WITH THE EXPRESSED WRITTEN PERMISSION OF SIGNCOMP.

DRAWN	8/5/2009	SignComp	
CHECKED			
QA		TITLE	
MFG		K1580 with Series 7 Reveal - Reveal Attachment Detail	
APPROVED		SIZE	DWG NO
		C	K1580-50
		SCALE	REV

Ship To:
 Order #:

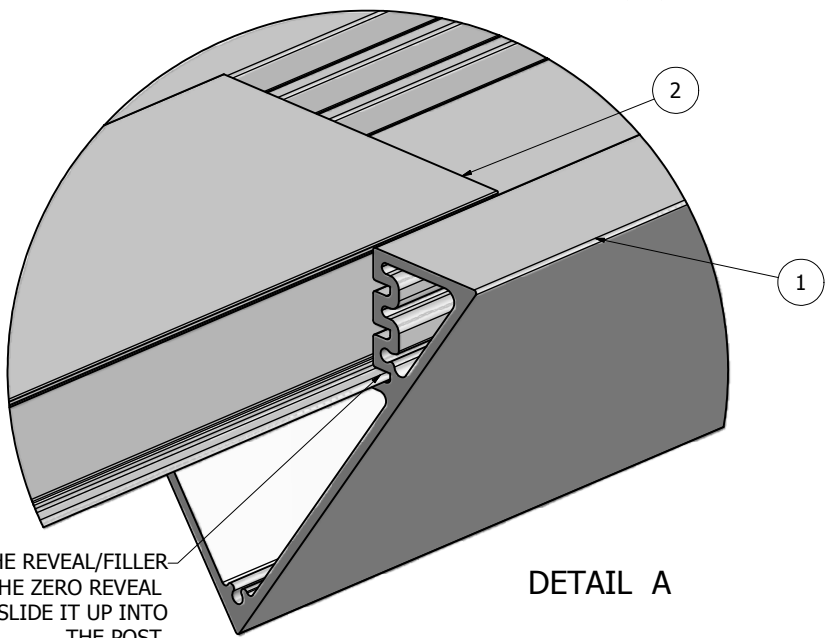
Parts List			
ITEM	PART #	DESCRIPTION	NOTES
1	1530	Series 7 Triangular Post	
2	1550	Series 7 Reveal	Tack weld or mechanically fasten to post

Ship To:
Order #:



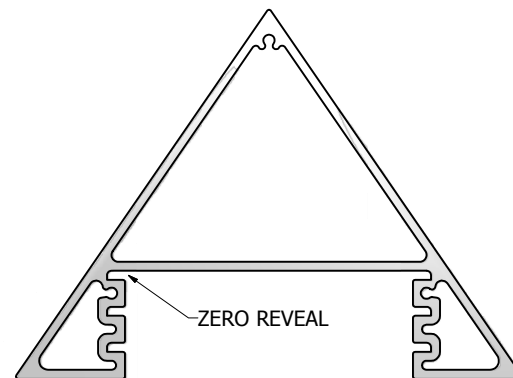
TACK WELD OR MECHANICALLY FASTEN THE REVEAL TO THE POST.

LENGTH/DIMENSION OF REVEAL ATTACHED TO THE BODY/CABINET.



INSERT THE REVEAL/FILLER INTO THE ZERO REVEAL POSITION. SLIDE IT UP INTO THE POST.

DETAIL A



NOTE: PRE-CUT KITS ARE NOT PRE-DRILLED.
(Holes shown in this drawing are for reference only. Drilling of pilot holes are to be done by fabricator.)

THIS DRAWING WAS CREATED AT NO CHARGE TO ASSIST YOU IN VISUALIZING OUR PROPOSAL. THE DRAWING HEREIN IS THE PROPERTY OF SIGNCOMP. PERMISSION TO COPY OR REVISE THIS DRAWING OR TO USE THIS DRAWING FOR PRODUCTION IS STRICTLY PROHIBITED AND CAN ONLY BE COPIED, REVISED OR USED FOR PRODUCTION WITH THE EXPRESSED WRITTEN PERMISSION OF SIGNCOMP.

DRAWN	8/6/2009	SignComp	
CHECKED			
QA		TITLE	
MFG		Series 7 Triangular Post with Reveal/Filler Assembly	
APPROVED		SIZE	DWG NO
		C	K1530-50
		SCALE	SHEET 1 OF 1